

Neodymium series

12N620

Neodymium Ultra Low Distortion Low Midrange Driver

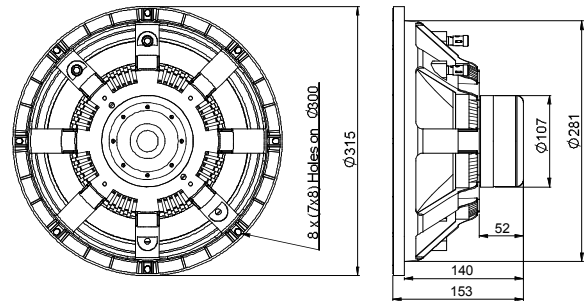


Features:

- 98dB sensitivity 1W/1m
- 500W Power handling
- Extremely light weight of 3.4kg
- 3" copper sandwich voice coil for low power compression
- Double treated cone for water protection
- Neodymium magnet system
- Triple aluminium demodulating rings for ultra low distortion
- Optimal for compact two or three way-systems

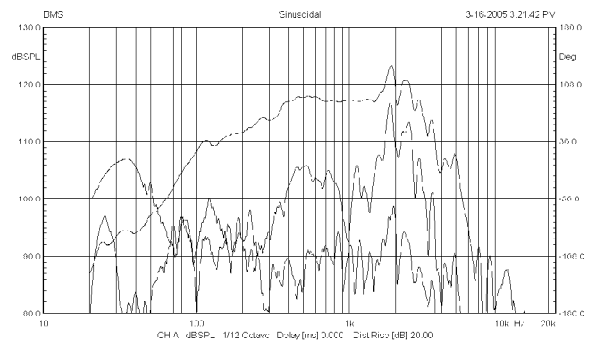
SPECIFICATIONS

APPLICATION	Low-Middle	
Nominal impedance	Ohm	8
Power handling AES noise	W	500
Sensitivity (1W/1m)	dB	98
Frequency response	Hz	45 - 2500
Voive coil diameter	mm	77 (3")
Voice coil material		Cu
Voice coil winding depth	mm	19
Magnet gap depth	mm	8
Basket		Cast Aluminium
Effect. diaphragm diameter D	mm	260

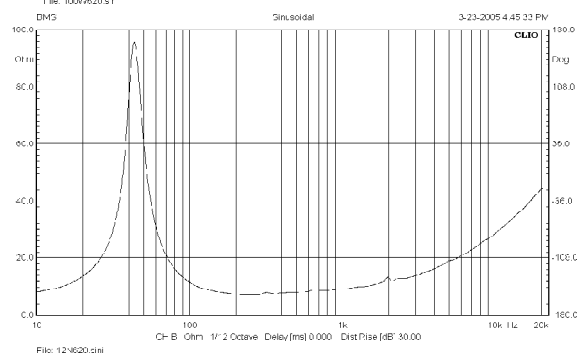


THILE - SMALL PARAMETERS			
Resonance frequency	Fs	Hz	43.6
DC resistance	Re	Ohm	5.70
Mechanical Q factor	Qms		5.44
Electrical Q factor	Qes		0.29
Total Quality factor	Qts		0.27
Equivalent volume	Vas	L	67.30
Moving mass	Mms	kg	0.078
Mechanical compl.	Cms	mm/N	0.170
BL factor	BL	Tesla/m	20.60
Effective piston area	Sd	m ²	0.0531
Max. linear excursion	Xmax	mm	± 5.5
Voice coil inductance	Le1k	µH	1.14
	Le10k	µH	0.45

Frequency response measured 100W (28,3V)@ 1m in a closed enclosure of 50 litre in an anechoic chamber incl. 2nd and 3rd harmonic distortion raised 20dB.



MOUNTING INFORMATION		
Overall diameter	mm	315
Mounting holes diameter	mm	7 x 8
Bolt circle diameter	mm	300
Baffle cut-out diameter	mm	283
Overall depth	mm	145
Net weight	kg	3.4



Recommended reflex enclosure:

17L/62Hz, -3dB=75Hz, BRD=80mm/148mm long

25L/60Hz, -3dB=63Hz, BRD=100mm/177mm long



BMS Elektronik GmbH · Boulevard der EU 6 · 30539 Hannover · Expo Park · Germany

phone: +49 (0) 511 - 879 38 98 · fax: +49 (0) 511 - 879 39 01 · e-mail: info@bms elektronik.de · internet: www.codaaudio.com