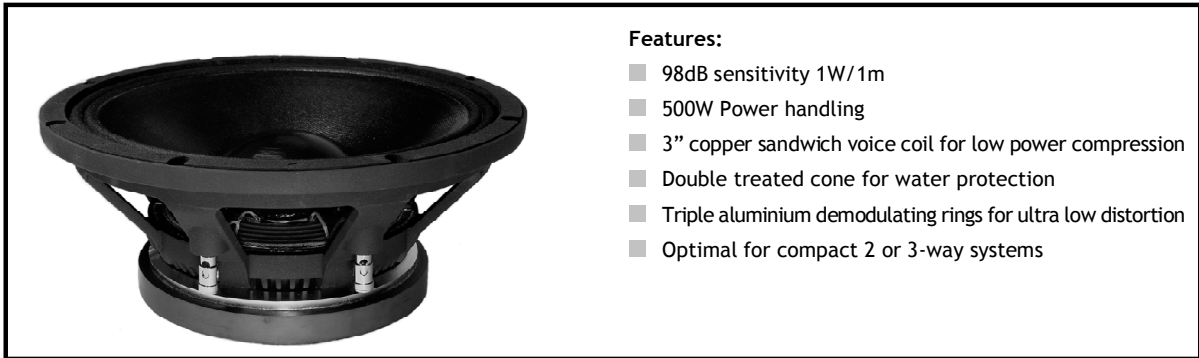


## Ultra low distortion series

## 12S320

Neodymium Ultra Low Distortion Low Midrange Driver

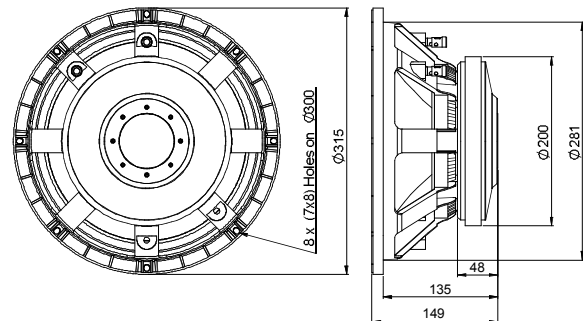


### Features:

- 98dB sensitivity 1W/1m
- 500W Power handling
- 3" copper sandwich voice coil for low power compression
- Double treated cone for water protection
- Triple aluminium demodulating rings for ultra low distortion
- Optimal for compact 2 or 3-way systems

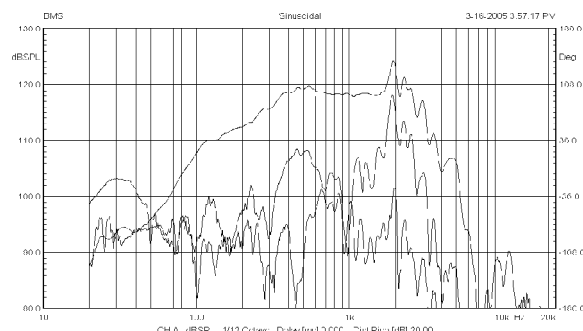
## SPECIFICATIONS

APPLICATION	Compact 2 or 3-way	
Nominal impedance	Ohm	8
Power handling AES noise	W	500
Sensitivity ( 1W/1m )	dB	98
Frequency response	Hz	45 - 2500
Voive coil diameter	mm	77 (3")
Voice coil material		Cu
Voice coil winding depth	mm	19
Magnet gap depth	mm	10
Basket		Cast Aluminium
Effect. diaphragm diameter D	mm	260

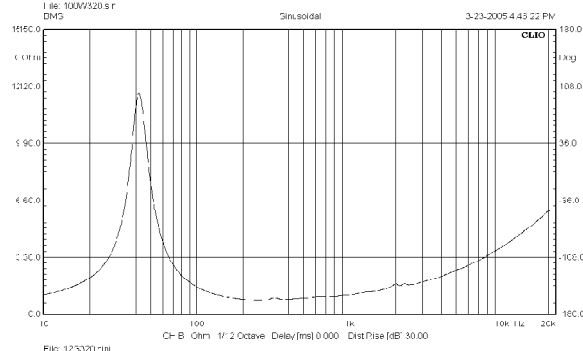


THILE - SMALL PARAMETERS			
Resonance frequency	Fs	Hz	43.8
DC resistance	Re	Ohm	5.70
Mechanical Q factor	Qms		4.80
Electrical Q factor	Qes		0.21
Total Quality factor	Qts		0.20
Equivalent volume	Vas	L	68.60
Moving mass	Mms	kg	0.076
Mechanical compl.	Cms	mm/N	0.174
BL factor	BL	Tesla/m	23.80
Effective piston area	Sd	m <sup>2</sup>	0.0531
Max. linear excursion	Xmax	mm	± 4.50
Voice coil inductance	Le1k	µH	1.33
	Le10k	µH	0.61

Frequency response measured 100W (28,3V)@ 1m in a closed enclosure of 50 litre in an anechoic chamber incl. 2nd and 3rd harmonic distortion raised 20dB.



MOUNTING INFORMATION		
Overall diameter	mm	315
Mounting holes diameter	mm	7 x 8
Bolt circle diameter	mm	300
Baffle cut-out diameter	mm	283
Overall depth	mm	149
Net weight	kg	7.8



### Recommended reflex enclosure:

10L/77Hz, -3dB=103Hz, BRD=70mm/132mm long

25L/63Hz, -3dB=68Hz, BRD=90mm/106mm long



BMS Elektronik GmbH · Boulevard der EU 6 · 30539 Hannover · Expo Park · Germany

phone: +49 (0) 511 - 879 38 98 · fax: +49 (0) 511 - 879 39 01 · e-mail: info@bmselektronik.de · internet: www.codaudio.com