

Features:

- Neodymium coaxial transducer
- 98dB sensitivity 1W/1m
- 500W + 80W Power handling
- 3" copper sandwich voice coil
- Triple aluminium demodulating rings
- conical 60° waveguide for precise directivity
- Single point source providing coherent wave front
- Very high SPL, superb quality sound
- Optimal for compact 2-way systems

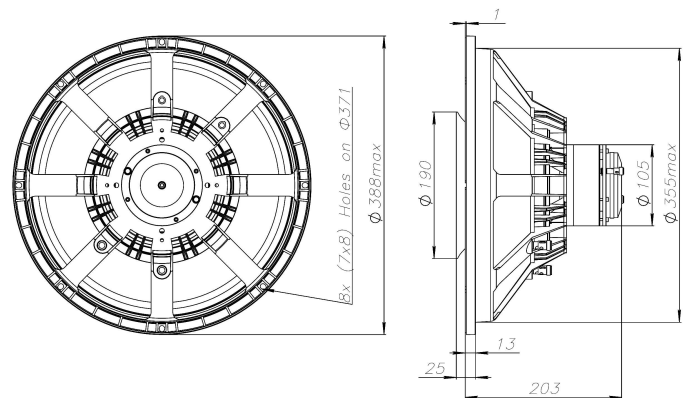
SPECIFICATIONS

APPLICATION	Transducer		
Nominal impedance	Ohm	8	
Power handling AES noise	W	500	
Sensitivity (1W/1m)	dB	98	
Frequency response	Hz	40 - 20000	
Voice coil diameter	mm	77 (3")	
Voice coil material		Cu	
Voice coil winding depth	mm	19	
Magnet gap depth	mm	8	
Basket		Cast Aluminium	
Effect. diaphragm diameter D	mm	335	
THILE - SMALL PARAMETERS			
Resonance frequency	Fs	Hz	39
DC resistance	Re	Ohm	5.80
Mechanical Q factor	Qms		6.86
Electrical Q factor	Qes		0.37
Total Quality factor	Qts		0.35
Equivalent volume	Vas	L	157.8
Moving mass	Mms	kg	0.107
Mechanical compl.	Cms	mm/N	0.160
BL factor	BL	Tesla/ m	20.17
Effective piston area	Sd	m ²	0.0850
Max. linear excursion	Xmax	mm	± 5.5
SPECIFICATIONS HIGH FREQUENCY			
Nominal impedance	Ohm	8	
Power handling AES	W	80	
Peak Power	W	450	
Sensitivity (1W/1m)	dB	113	
Frequency range	Hz	600-20.000	
Recommended crossover	Hz	1200	
Voice coil diameter	mm	44.4 (1.75")	
Magnet material		Neodymium	
Fluchs density	T	2.2	
Voice coil material	Copper Clad Aluminium		
	(2Layers in and outside of the VC)		
Voice coil former		Kapton™	
Diaphragm material		Polyester	

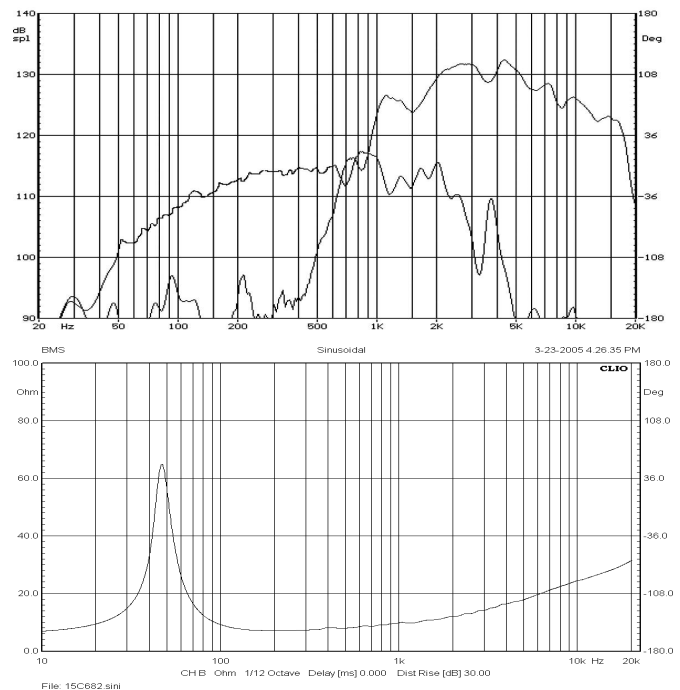
Recommended reflex enclosure:

60L/50Hz, -3dB=56Hz, BRD=130mm/150mm long

80L/45Hz, -3dB=50Hz, BRD=140mm/162mm long



Frequency response measured 10W (8.94V) at 1m in a closed enclosure of 100 litre.



MOUNTING INFORMATION		
Overall diameter	mm	388
Mounting holes diameter	mm	7 x 8
Bolt circle diameter	mm	371
Baffle cut-out diameter	mm	358
Overall depth	mm	215
Net weight	kg	5.2