

#### Features:

- 95dB sensitivity 1W/1m
- 1.200W Power handling
- 4" copper sandwich voice coil for low power compression
- Neodymium magnet system
- Double treated cone for water protection
- Triple aluminium demodulating rings for ultra low distortion
- Optimal for high output subwoofers
- Light weight carbon fiber diaphragm

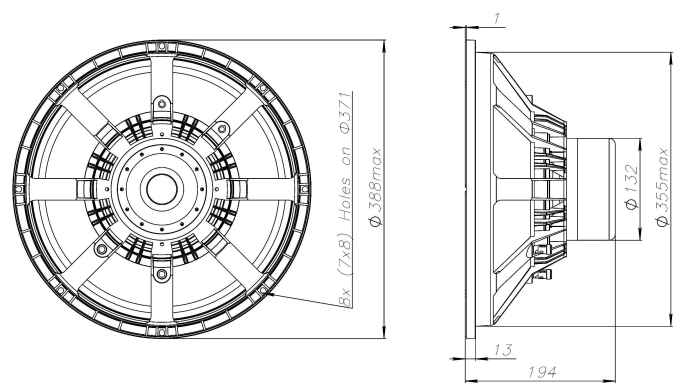
## SPECIFICATIONS

APPLICATION	infra-subwoofer	
Nominal impedance	Ohm	8
Power handling AES noise	W	1200
Sensitivity ( 1W/1m )	dB	95
Frequency response	Hz	22 - 300
Voive coil diameter	mm	101.6 (4")
Voice coil material		Cu
Voice coil winding depth	mm	32
Magnet gap depth	mm	10
Basket		Cast Aluminium
Effect. diaphragm diameter D	mm	330

THILE - SMALL PARAMETERS			
Resonance frequency	Fs	Hz	35.6
DC resistance	Re	Ohm	5
Mechanical Q factor	Qms		6.26
Electrical Q factor	Qes		0.28
Total Quality factor	Qts		0.27
Equivalent volume	Vas	L	129.95
Moving mass	Mms	kg	0.155
Mechanical compl.	Cms	mm/N	0.130
BL factor	BL	Tesla m	24.6
Effective piston area	Sd	m <sup>2</sup>	0.845
Max. linear excursion	Xmax	mm	± 11
Voice coil inductance	Le1k	mH	0.87
	Le10k	mH	0.51

MOUNTING INFORMATION		
Overall diameter	mm	388
Mounting holes diameter	mm	7 x 8
Bolt circle diameter	mm	371
Baffle cut-out diameter	mm	358
Overall depth	mm	194
Net weight	kg	6.8

**Recommended reflex enclosure:**  
 70L/42Hz, BRD=180mm/476mm long  
 85L/35Hz, BRD=180mm/590mm long



Frequency response measured 1000W (89.4V) at 1m in a closed enclosure of 100 litre incl. 2nd and 3rd harmonic distortion raised 10dB.

