

Features:

- 96dB sensitivity 1W/1m
- 1100W Power handling
- 4" copper sandwich voice coil for low power compression
- Neodymium magnet system
- Double treated cone for water protection
- Triple aluminium demodulating rings for ultra low distortion
- Optimal for high output subwoofers

SPECIFICATIONS

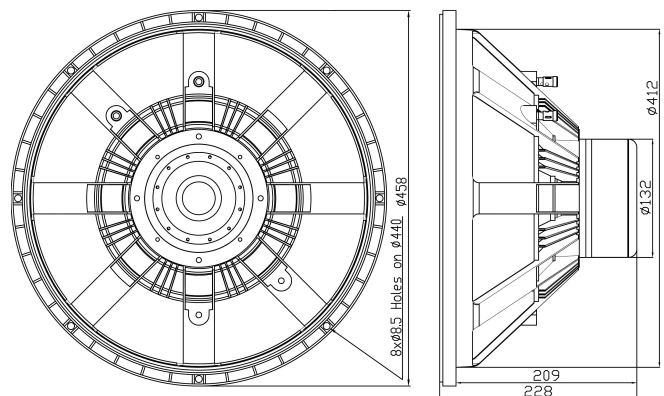
APPLICATION	subwoofer	
Nominal impedance	Ohm	8
Power handling AES noise	W	1100
Sensitivity (1W/1m)	dB	96
Frequency response	Hz	20 - 200
Voive coil diameter	mm	101,6 (4")
Voice coil material		Cu
Voice coil winding depth	mm	26
Magnet gap depth	mm	10
Basket		Cast Aluminium
Effect. diaphragm diameter D	mm	393

THILE - SMALL PARAMETERS			
Resonance frequency	Fs	Hz	32.90
DC resistance	Re	Ohm	5
Mechanical Q factor	Qms		6.80
Electrical Q factor	Qes		0.37
Total Quality factor	Qts		0.35
Equivalent volume	Vas	L	247
Moving mass	Mms	kg	0.195
Mechanical compl.	Cms	mm/N	0.12
BL factor	BL	Tesla m	23.3
Effective piston area	Sd	m ²	0.1212
Max. linear excursion	Xmax	mm	± 8
Voice coil inductance	Le1k	mH	0.79
	Le10k	mH	0.51

MOUNTING INFORMATION		
Overall diameter	mm	457
Mounting holes diameter	mm	8.5
Bolt circle diameter	mm	440
Baffle cut-out diameter	mm	414
Overall depth	mm	218
Net weight	kg	7.72

Recommended reflex enclosure:

140L / 36Hz, BRD=200mm/366mm long



Frequency response measured 1000W (89.4V) at 1m in a vented enclosure of 170 litre tuned 32Hz incl. 2nd and 3rd harmonic distortion raised 10dB.

