

Features:

- 95.5dB sensitivity 1W/1m
- 200W + 80W Power handling
- 2" + 1.5" aluminium sandwich voice coil
- Single point source providing coherent wave front
- 90° conical dispersion
- Optimal for compact two-way systems

SPECIFICATIONS

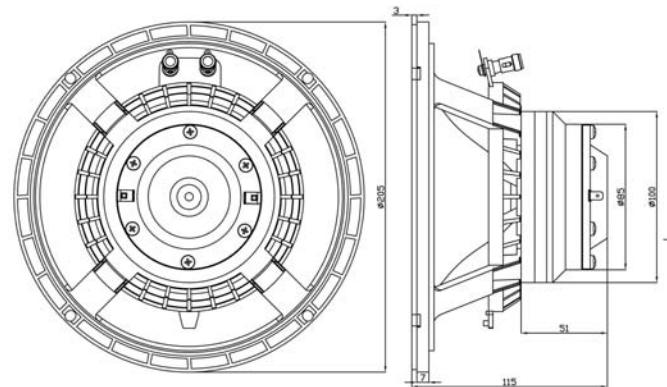
| APPLICATION | Transducer | | |
|-------------------------------|------------------------------------|----------------|--------|
| Nominal impedance | Ohm | 8 | |
| Power handling AES noise | W | 200 | |
| Sensitivity (1W/1m) | dB | 95.5 | |
| Frequency response | Hz | 70 - 3000 | |
| Voice coil diameter | mm | 52 (2") | |
| Voice coil material | | Al | |
| Voice coil winding depth | mm | 15 | |
| Magnet gap depth | mm | 7 | |
| Basket | | Cast Aluminium | |
| Voice coil inductance Le | µH | 0.179 (4 Ohm) | |
| THILE - SMALL PARAMETERS | | | |
| Resonance frequency | Fs | Hz | 87.6 |
| DC resistance | Re | Ohm | 5.40 |
| Mechanical Q factor | Qms | | 5.28 |
| Electrical Q factor | Qes | | 0.30 |
| Total Quality factor | Qts | | 0.29 |
| Equivalent volume | Vas | L | 10.08 |
| Moving mass | Mms | kg | 0.0183 |
| Mechanical compl. | Cms | mm/N | 0.18 |
| BL factor | BL | Tesla/ m | 13.44 |
| Effective piston area | Sd | m ² | 0.0200 |
| Max. linear excursion | Xmax | mm | ± 4 |
| SPECIFICATIONS HIGH FREQUENCY | | | |
| Nominal impedance | Ohm | 16 | |
| Power handling AES | W | 60 | |
| Peak Power | W | 300 | |
| Sensitivity (1W/1m) | dB | 113 | |
| Frequency range | Hz | 1500 - 20000 | |
| Recommended crossover | Hz | 1900 | |
| Voice coil diameter | mm | 38 (1.5") | |
| Magnet material | | Neodymium | |
| Fluchs density | T | 2 | |
| Voice coil material | Copper Clad Aluminium | | |
| | (2Layers in and outside of the VC) | | |
| Voice coil former | | Kapton™ | |
| Diaphragm material | | Polyester | |

Recommended reflex enclosure:

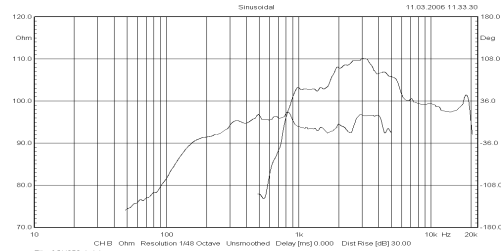
3L/115Hz, BRD=50mm/98mm long

8L/85Hz, BRD=60mm/94mm long

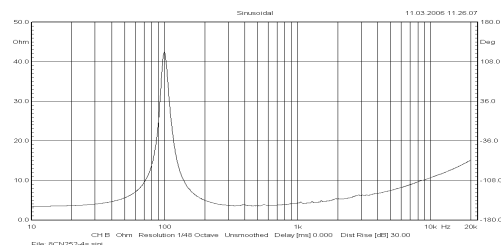
10L/66Hz, BRD=60mm/139mm long



Frequency response measured 1W (2.38V)@ 1m in a closed enclosure of 10 litre.



Impedance - 4 Ohm driver



| MOUNTING INFORMATION | | |
|-------------------------|----|-----------|
| Overall diameter | mm | 205 |
| Mounting holes diameter | mm | 5.3 x 7 |
| Bolt circle diameter | mm | 195 - 197 |
| Baffle cut-out diameter | mm | 182 |
| Overall depth | mm | 115 |
| Net weight | kg | 2.15 |