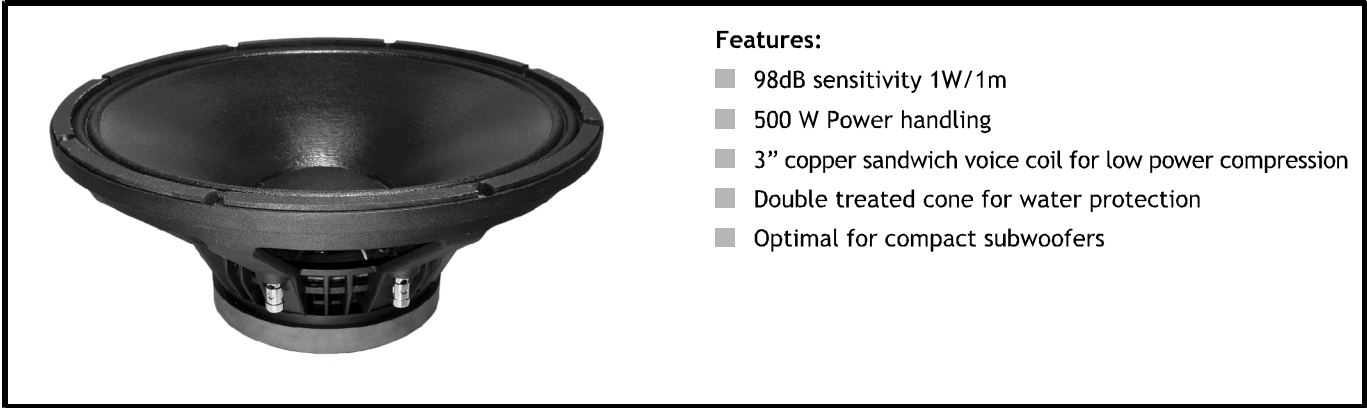


15P214

Extended Bass Driver

Professional series

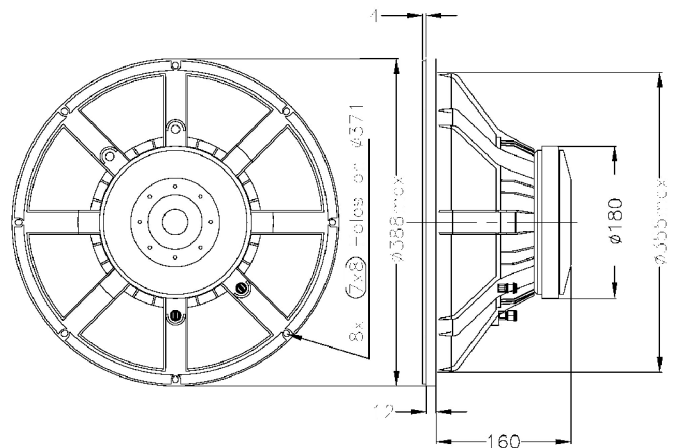


Features:

- 98dB sensitivity 1W/1m
- 500 W Power handling
- 3" copper sandwich voice coil for low power compression
- Double treated cone for water protection
- Optimal for compact subwoofers

SPECIFICATIONS

APPLICATION	Subwoofer	
Nominal impedance	Ohm	8
Power handling AES noise	W	500
Sensitivity (1W/1m)	dB	98
Frequency response	Hz	35 - 2500
Voice coil diameter	mm	77 (3")
Voice coil material		Cu
Voice coil winding depth	mm	26
Magnet gap depth	mm	10
Basket		Cast Aluminium
Effect. diaphragm diameter D	mm	335



THILE - SMALL PARAMETERS			
Resonance frequency	Fs	Hz	39.2
DC resistance	Re	Ohm	5.90
Mechanical Q factor	Qms		3.15
Electrical Q factor	Qes		0.43
Total Quality factor	Qts		0.38
Equivalent volume	Vas	L	152
Moving mass	Mms	kg	0.118
Mechanical compl.	Cms	mm/N	0.140
BL factor	BL	Tesla/m	20.00
Effective piston area	Sd	m ²	0.0880
Max. linear excursion	Xmax	mm	± 8

MOUNTING INFORMATION		
Overall diameter	mm	388
Mounting holes diameter	mm	7 x 8
Bolt circle diameter	mm	371
Baffle cut-out diameter	mm	358
Overall depth	mm	188
Net weight	kg	7.3

Frequency response, 100W @ 1m incl. 2nd and 3rd harmonic distortion raised 20dB.

