

# 12CN680

Neodymium Coaxial Transducer

Coaxial series

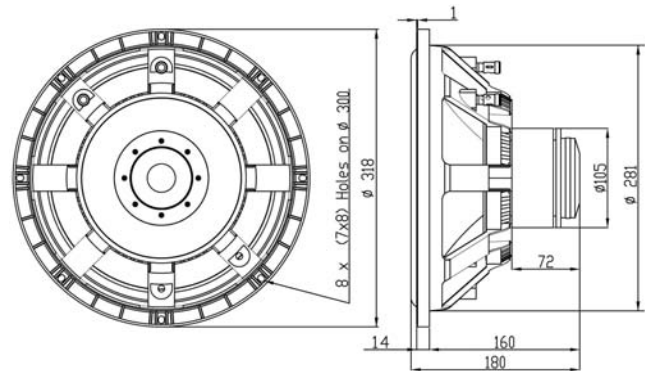


### Features:

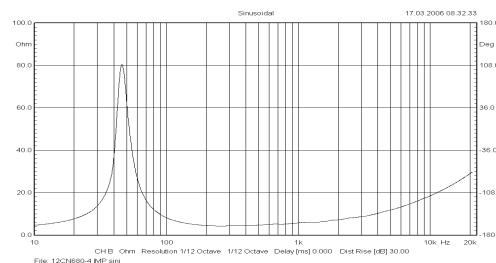
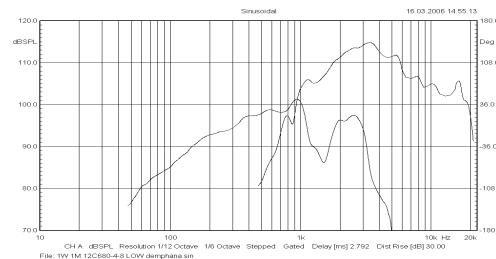
- Neodymium coaxial transducer
- 98dB sensitivity 1W/1m
- 500 W + 80 W Power handling
- 3" copper sandwich voice coil
- Triple aluminium demodulating rings
- elliptical 80° x 60° waveguide for precise directivity
- Single point source providing coherent wave front
- Very high SPL, superb quality sound
- Optimal for compact two-way systems

## SPECIFICATIONS

APPLICATION	Transducer		
Nominal impedance	Ohm	8	
Power handling AES noise	W	500	
Sensitivity ( 1W/1m )	dB	98	
Frequency response	Hz	50 - 20000	
Voice coil diameter	mm	77 (3")	
Voice coil material		Cu	
Voice coil winding depth	mm	19	
Magnet gap depth	mm	8	
Basket		Cast Aluminium	
Voice coil inductance Le	µH	1.3	
THILE - SMALL PARAMETERS			
Resonance frequency	Fs	Hz	41.3
DC resistance	Re	Ohm	5.80
Mechanical Q factor	Qms		6.25
Electrical Q factor	Qes		0.29
Total Quality factor	Qts		0.28
Equivalent volume	Vas	L	67.12
Moving mass	Mms	kg	0.0775
Mechanical complience	Cms	mm/N	0.190
BL factor	BL	Tesla/ m	20.03
Effective piston area	Sd	m <sup>2</sup>	0.0501
Max. linear excursion	Xmax	mm	± 5.5
SPECIFICATIONS HIGH FREQUENCY			
Nominal impedance	Ohm	8	
Power handling AES	W	80	
Peak Power	W	450	
Sensitivity ( 1W/1m )	dB	113	
Frequency range	Hz	600 - 20000	
Recommended crossover	Hz	1300	
Voice coil diameter	mm	44.4 (1.75")	
Magnet material		Neodymium	
Fluchs density	T	2.2	
Voice coil material	Copper Clad Aluminium		
	(2 layers in- and outside of the VC)		
Voice coil former		Kapton™	
Diaphragm material		Polyester	



Frequency response measured 1W (2.38V)@ 1m in a closed enclosure of 50 litre.



MOUNTING INFORMATION		
Overall diameter	mm	318
Mounting holes diameter	mm	7 x 8
Bolt circle diameter	mm	300
Baffle cut-out diameter	mm	282
Overall depth	mm	180
Net weight	kg	5.0

Recommended reflex enclosure:  
24L/57Hz, BRD=90mm/153mm long