

# 15N820

Neodymium Ultra Low Distortion Low Midrange Driver

## Neodymium series

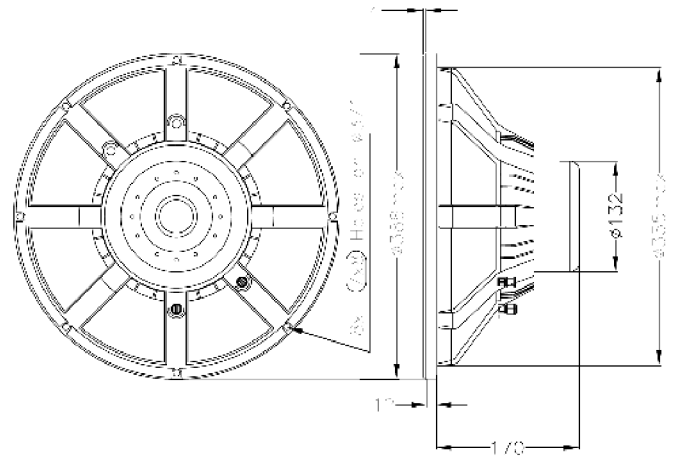


### Features:

- 98dB sensitivity 1W/1m
- 900 W Power handling
- 4" copper sandwich voice coil for low power compression
- Neodymium magnet system
- Double treated cone for water protection
- Triple aluminium demodulating rings for ultra low distortion
- Optimal for high output 2 or 3-way systems

## SPECIFICATIONS

APPLICATION	2 or 3-way systems	
Nominal impedance	Ohm	8
Power handling AES noise	W	900
Sensitivity ( 1W/1m )	dB	98
Frequency response	Hz	40 - 2500
Voice coil diameter	mm	101.6 (4")
Voice coil material		Cu
Voice winding depth	mm	20
Basket		Cast Aluminium
Effect. diaphragm diameter D	mm	335



THILE - SMALL PARAMETERS			
Resonance frequency	Fs	Hz	39.7
DC resistance	Re	Ohm	5.90
Mechanical Q factor	Qms		5.34
Electrical Q factor	Qes		0.24
Total Quality factor	Qts		0.23
Equivalent volume	Vas	L	152
Moving mass	Mms	kg	0.114
Mechanical compl.	Cms	mm/N	0.140
BL factor	BL	Tesla/m	26.40
Effective piston area	Sd	m <sup>2</sup>	0.0880
Max. linear excursion	Xmax	mm	± 5.5

MOUNTING INFORMATION		
Overall diameter	mm	388
Mounting holes diameter	mm	7 x 8
Bolt circle diameter	mm	371
Baffle cut-out diameter	mm	358
Overall depth	mm	186
Net weight	kg	4.9

Frequency response, 100W @ 1m incl. 2nd and 3rd harmonic distortion raised 20dB.

